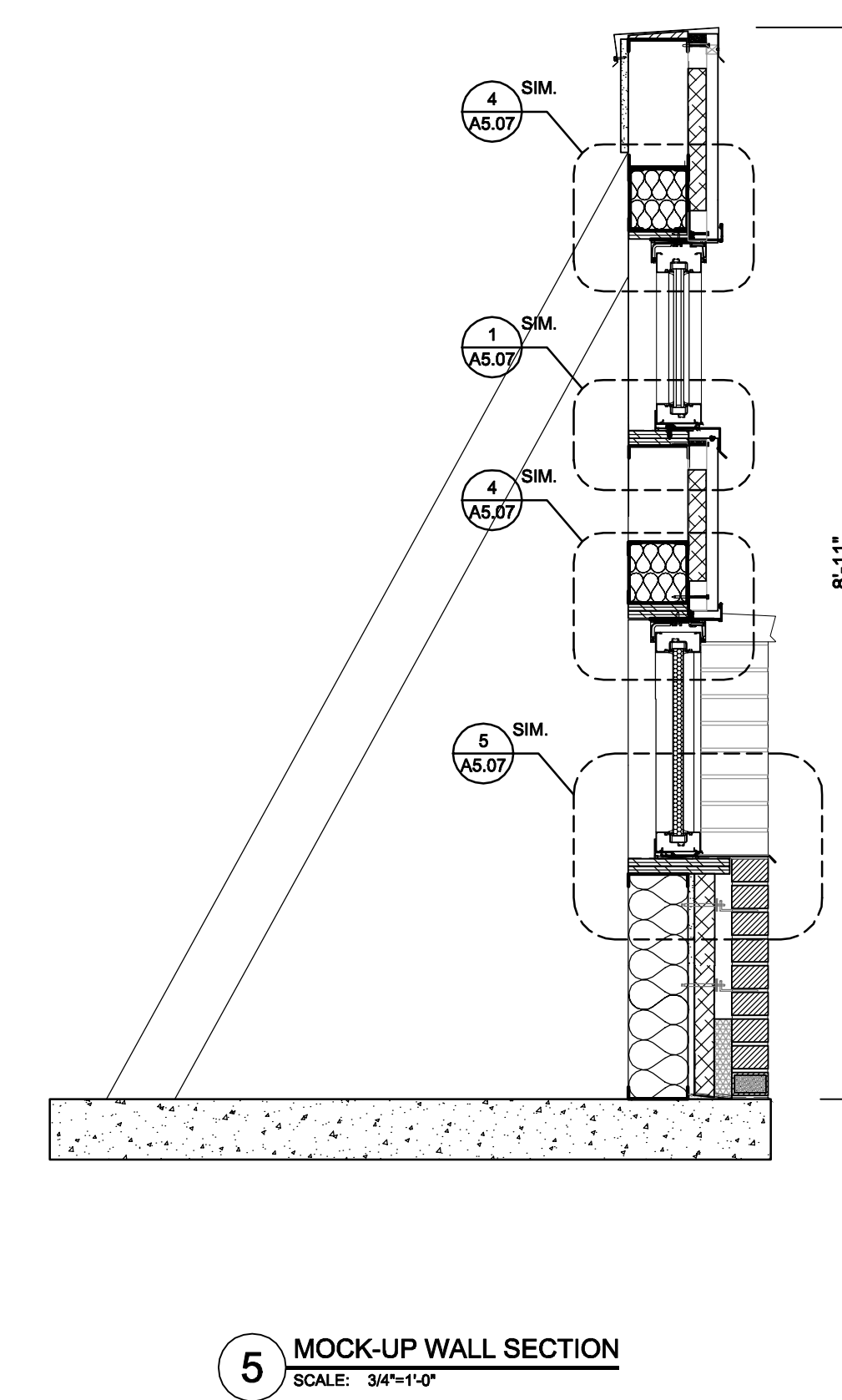
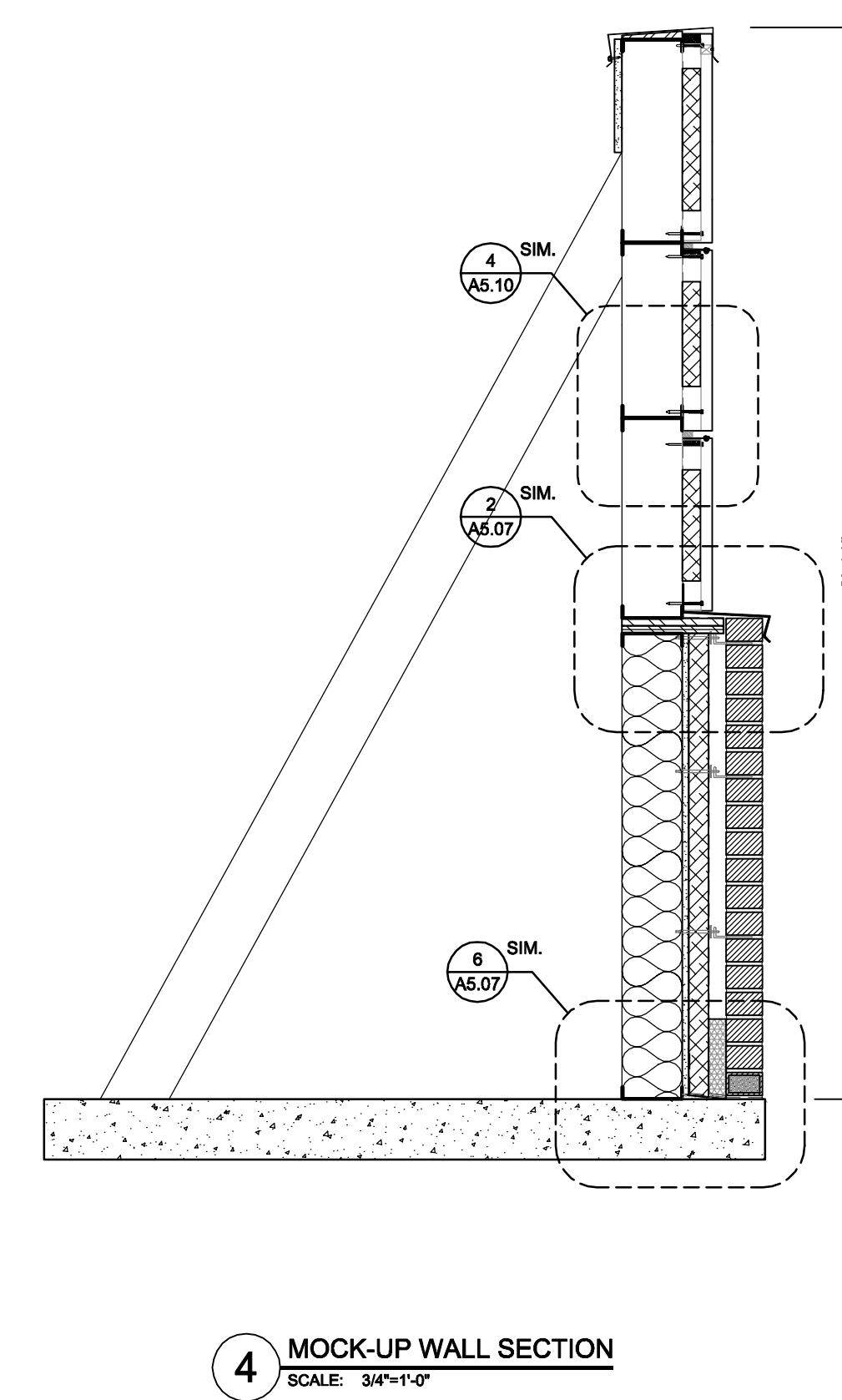
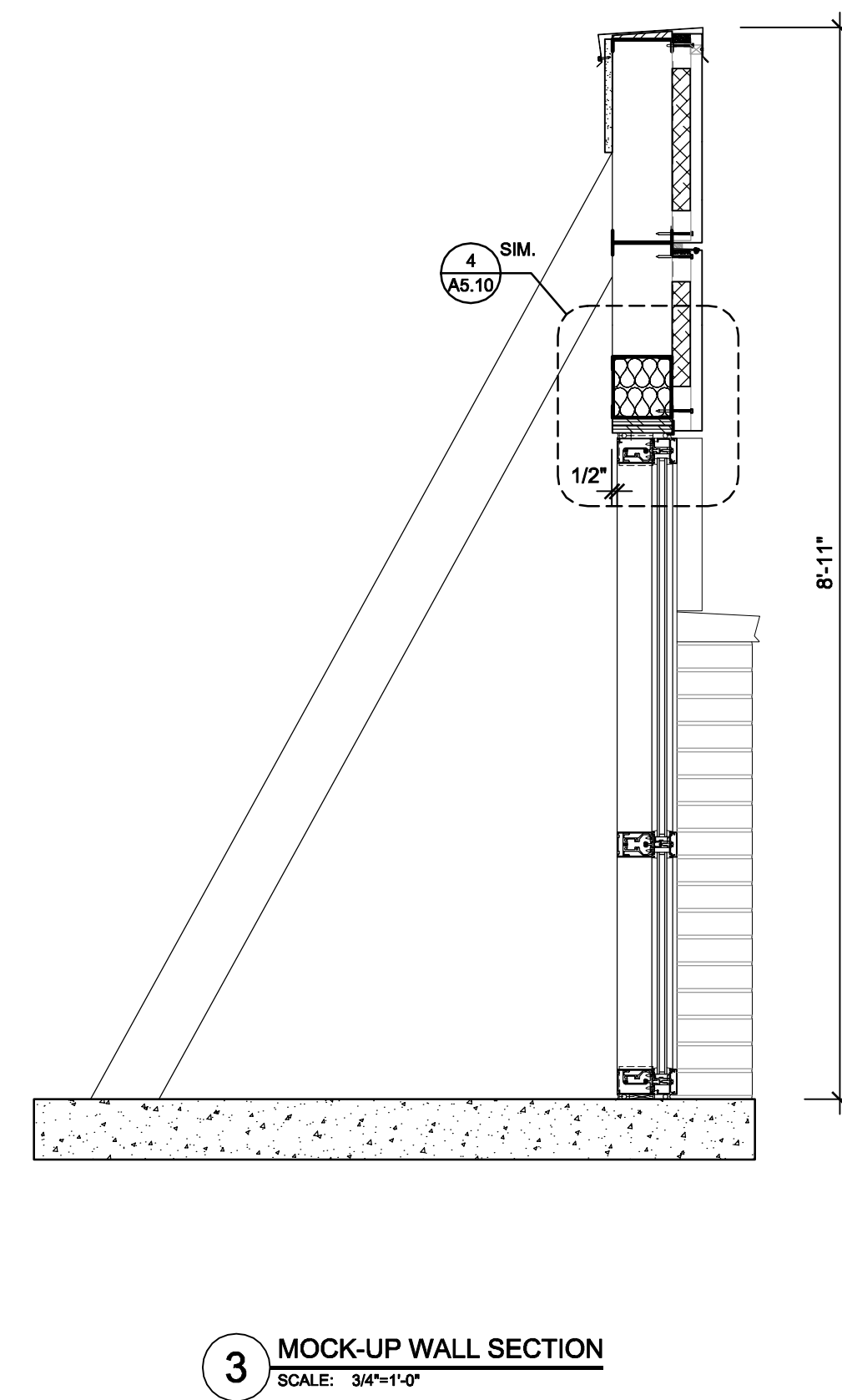
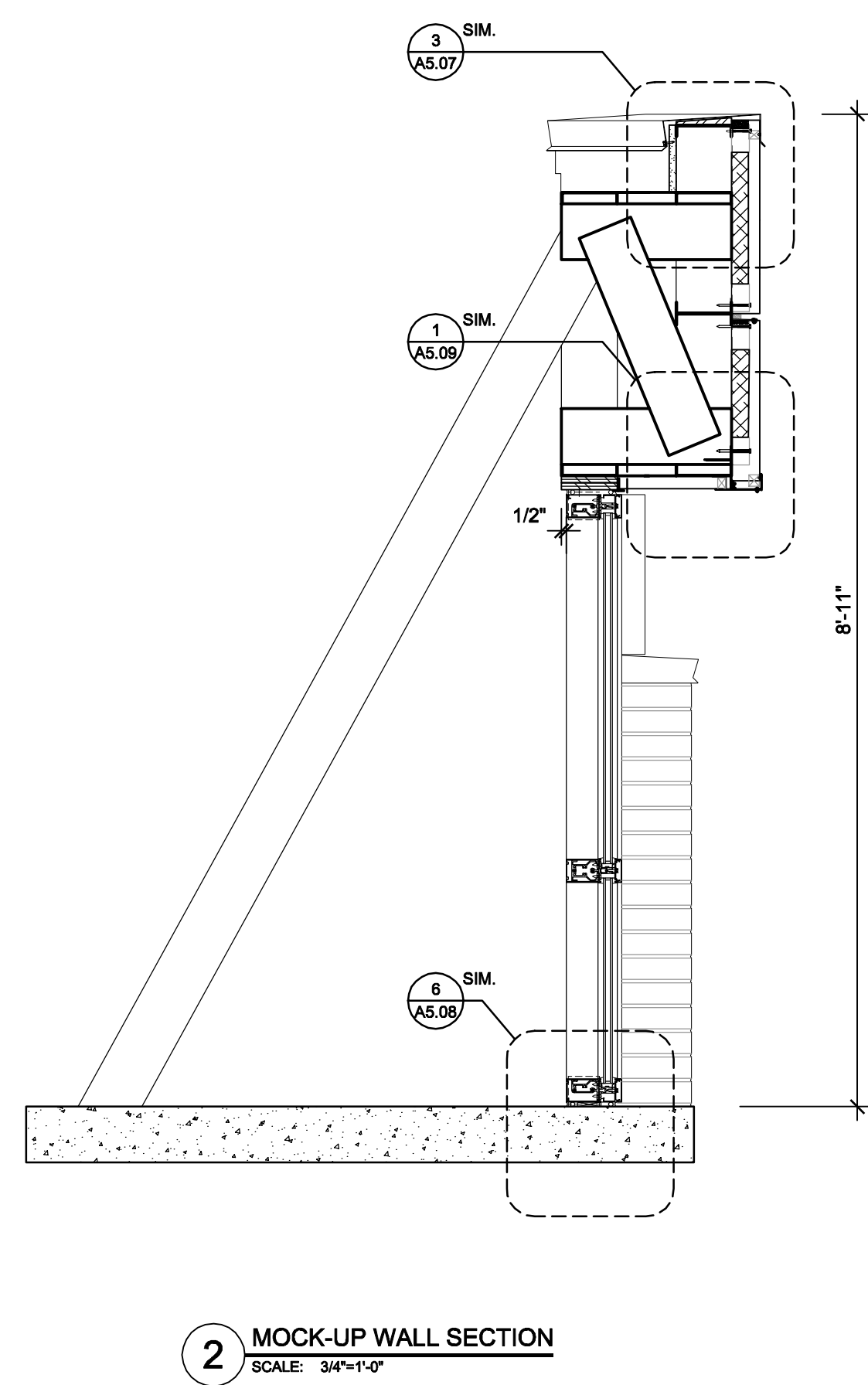
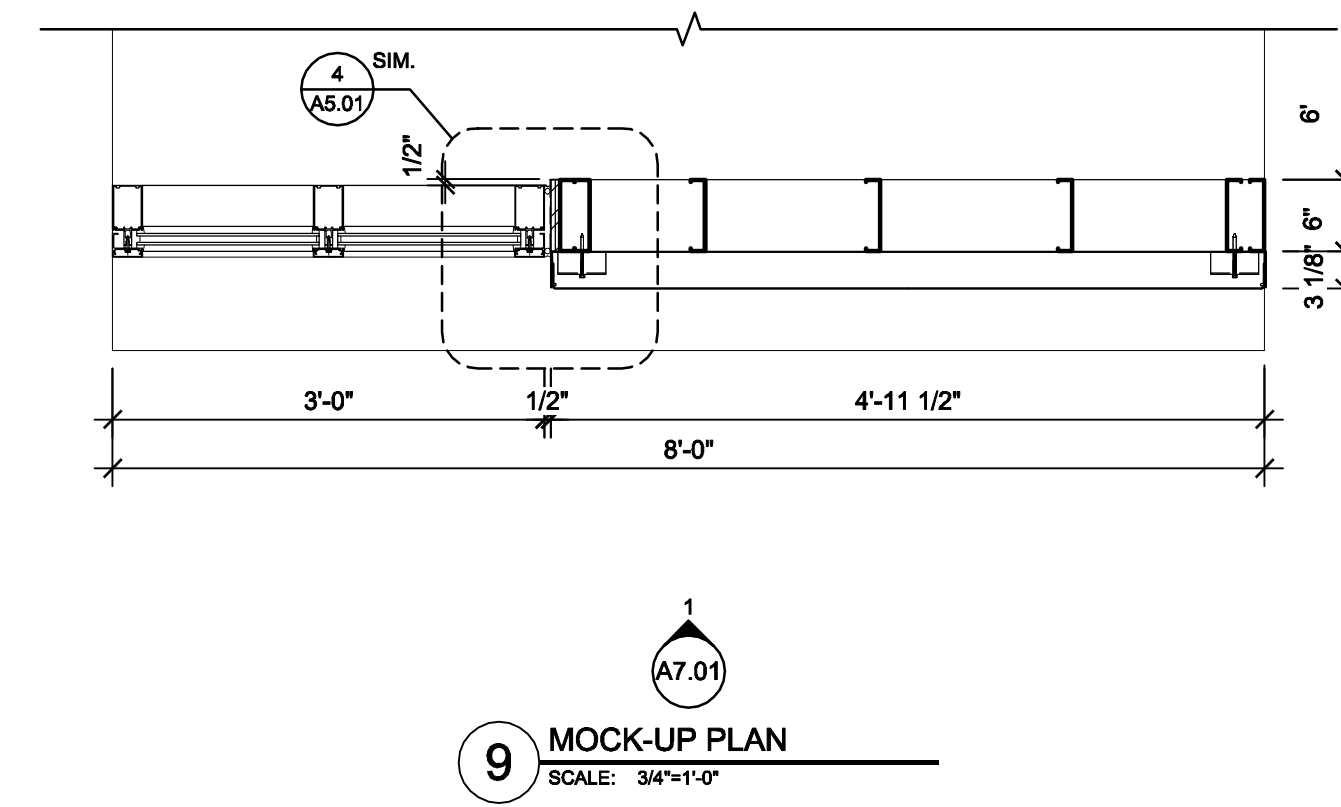
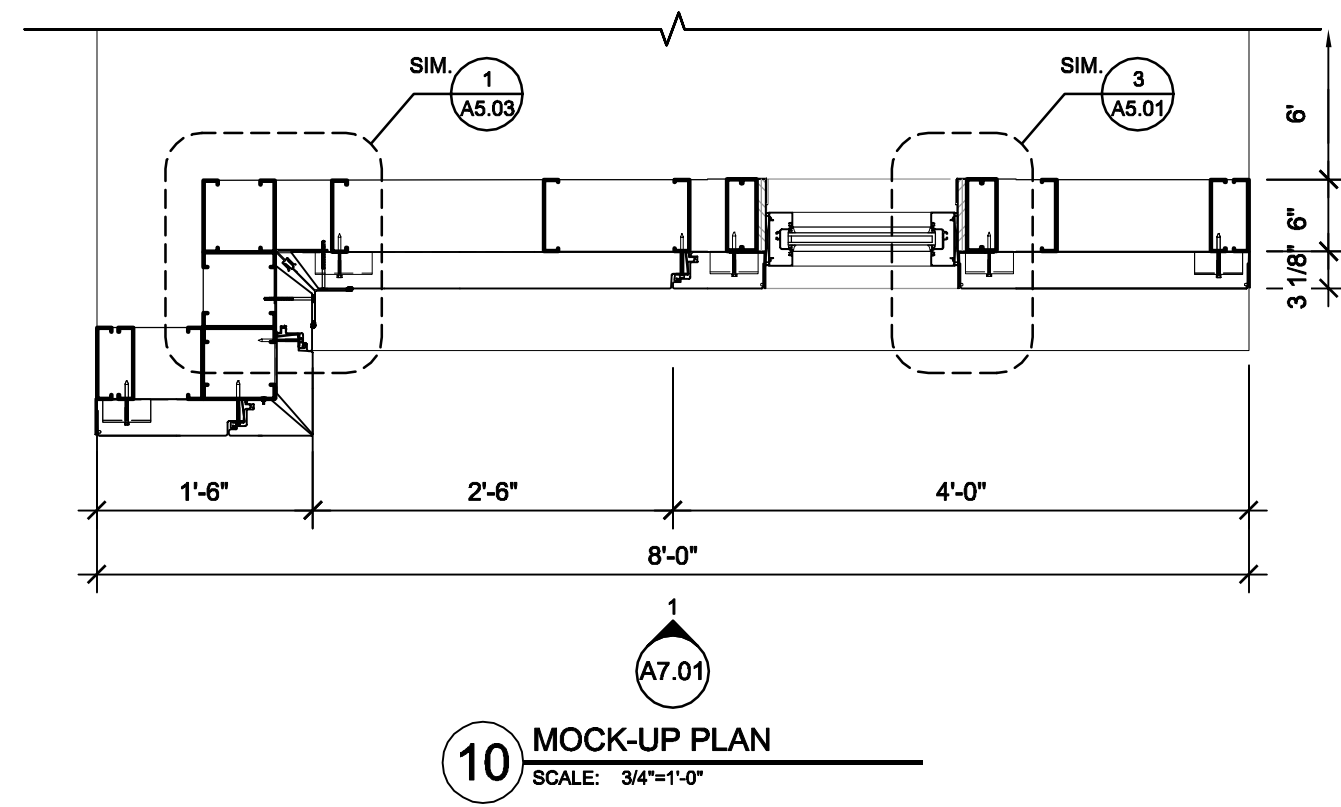
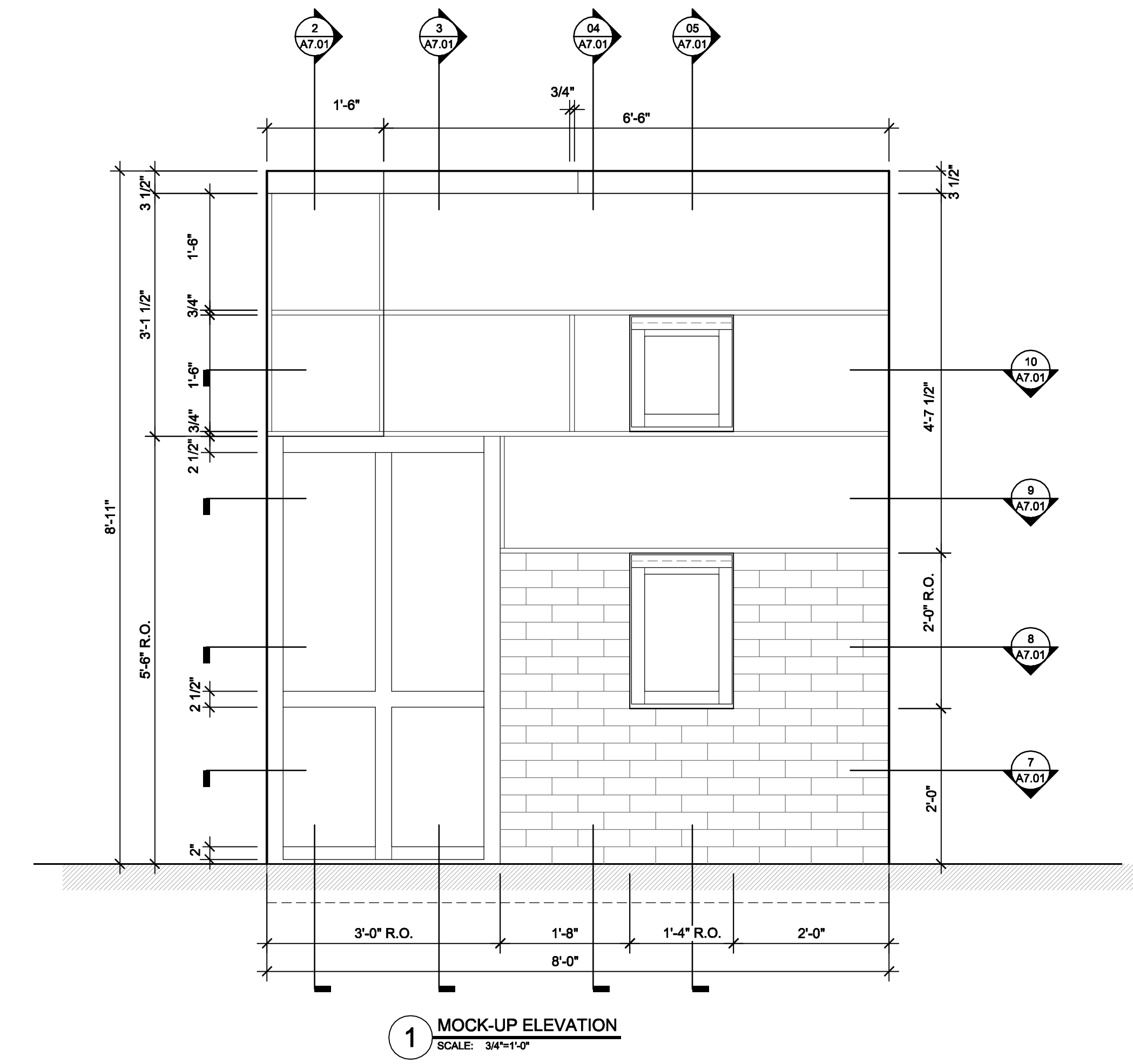
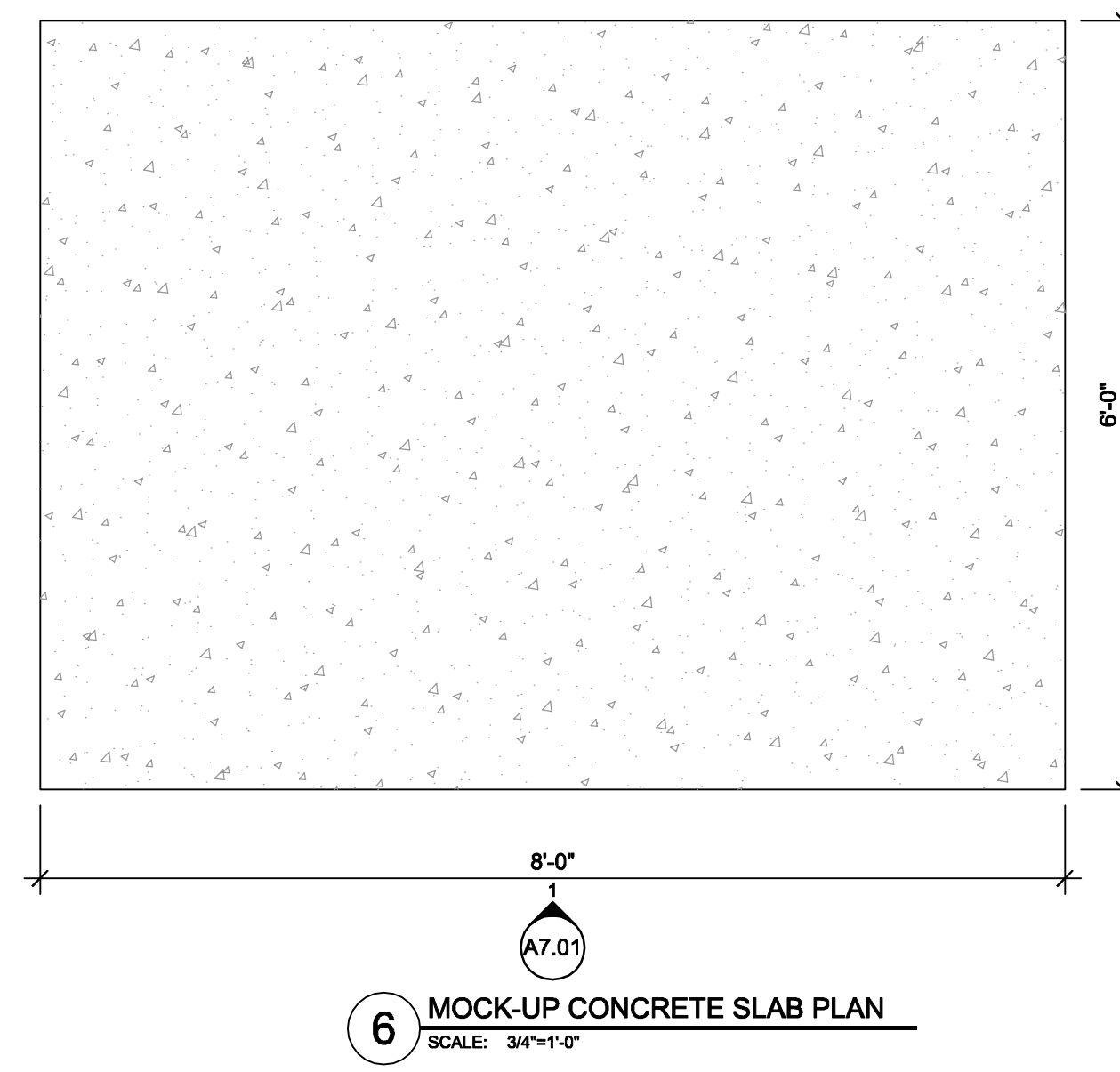
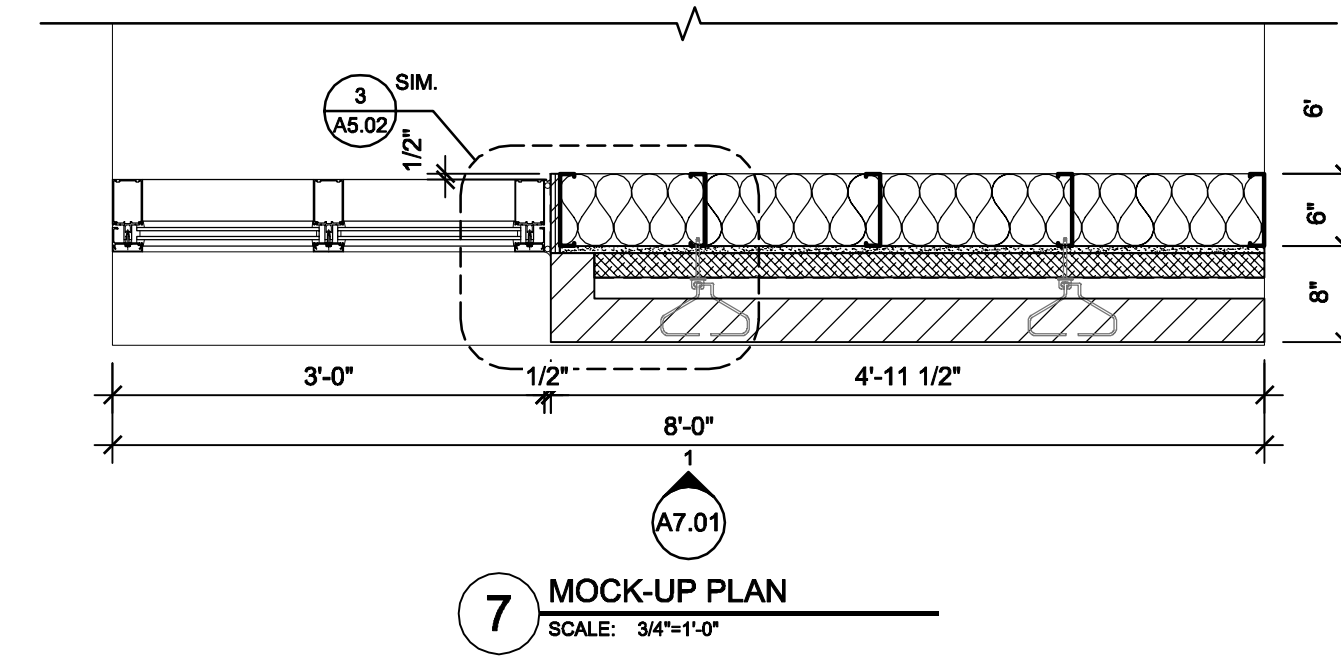
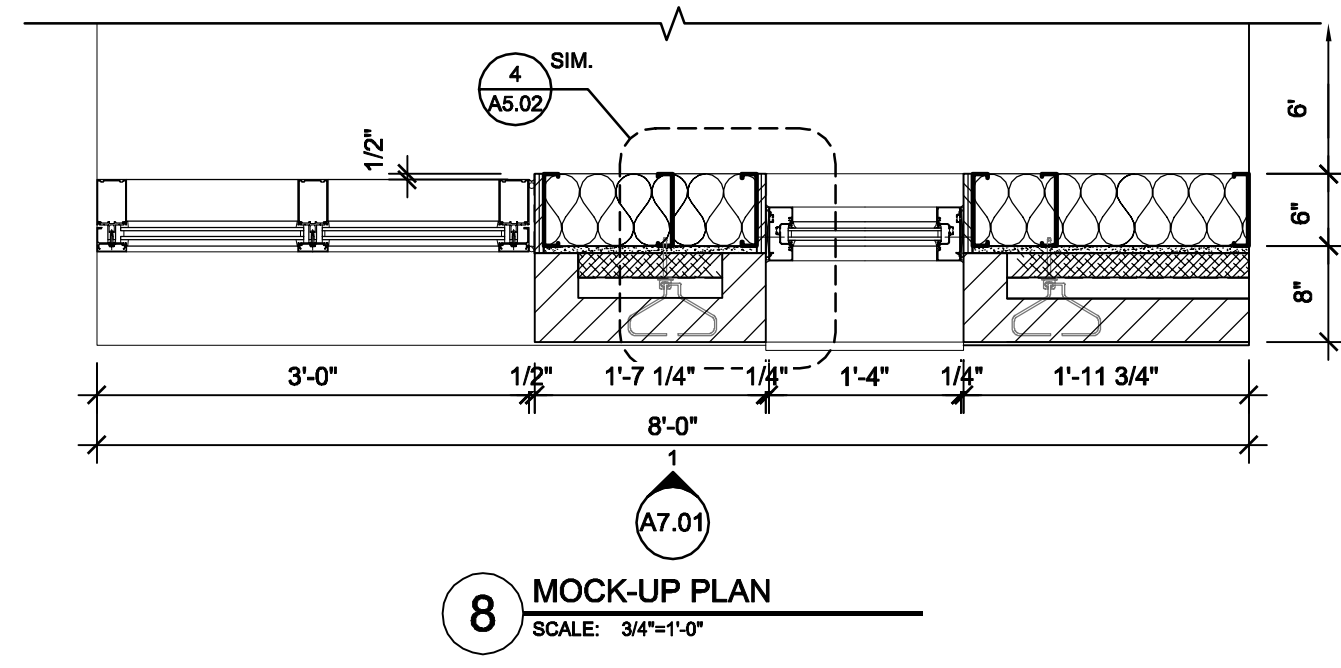


DEBORAH HEALTH CORE & SHELL  
MEDICAL OFFICE BUILDING

ISSUED FOR BID  
100% CONSTRUCTION DOCUMENT SET  
DATED AUGUST 30, 2016

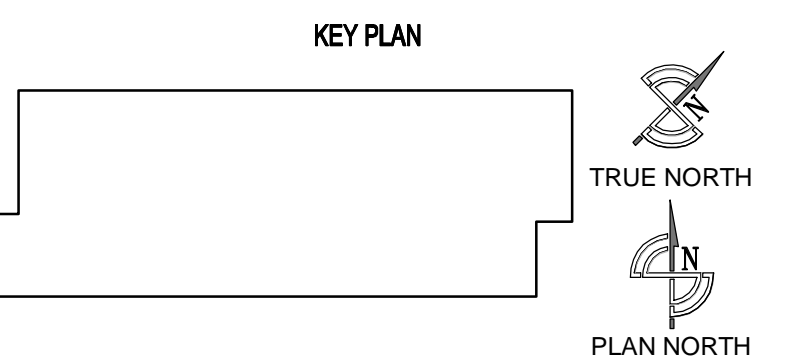


These drawings, as instruments of service, remain the property of the Architect or Engineer. Any changes, publication, or use of any kind is prohibited unless expressly authorized by said party.  
Copyright ©2016

Owner  
**DEBORAH HEALTH  
MEDICAL OFFICE BUILDING**

Revisions

No.	Description	Date
01	Issued for Bidding	
	100% Construction Document Set	08/30/16



Drafted By: JTG  
Checked By: MHL  
Date Drafted: 08/30/2016

**MOCK-UP WALL  
DETAILS  
A7.01**

SCALE AS NOTED